



## Seamless Integration with Access Control

The OnGuard Total Security Knowledge Management Solution™ enables full biometric template management using hand geometry and fingerprint technologies. OnGuard Biometrics provides a unique application that saves customers time and money by eliminating the need for a separate biometric application and network to manage biometric templates, while providing increased the security of a biometric solution.

## Centralized Cardholder Template Enrollment

OnGuard Biometrics provides a seamless cardholder enrollment process. Enrollment readers connect directly to OnGuard's ID CredentialCenter workstation and cardholder biometric templates are captured when the cardholder is enrolled. Separate biometric enrollment software is not required! Enrollment operators only need to manage and maintain a single piece of software.

## Increased Security

OnGuard Biometrics provides increased security by assessing and identifying a unique body feature of a person, not just of a card or personal identification number. Biometric readers combine the security of using a cardholder's badge or PIN in conjunction with a biometric template. OnGuard Biometrics offers fast, accurate verification in a user friendly, non-invasive environment.

## Eliminates Multiple Systems and Databases

OnGuard Biometrics does not require the use of separate biometric template management software from a third party manufacturer. Instead, OnGuard utilizes a single network and software platform to manage an unlimited number of biometric readers. This eliminates the need for redundant networks, enrollment software, and archaic data synchronization tools.

## Integrated Centralized Management

OnGuard Biometrics allows for centralized management, monitoring, and reporting. Biometric readers are configured using the same application that configures traditional readers. Cardholder events driven through biometric readers are handled in the same fashion as traditional card based transactions. Events can drive alarms, paging devices, as well as integrate with digital video recording sequences. Additionally, system administrators can use OnGuard's standard reporting tools to create reports involving biometric activity.

## Advanced, Distributed Architecture

OnGuard utilizes an industry unique, distributed template architecture. Cardholder biometric templates are distributed to Lenel's LNL-2000 Intelligent System Controller or encoded directly to the cardholder's smart card credential. Thus, all access decisions and template comparisons are done at the field hardware and credential level, guaranteeing fast, accurate responses. No host decision-making is required! Even, if the LNL-2000's are off-line with the database server, valid access decisions using biometric templates can still be made.

## ▶▶ Advantages & Benefits

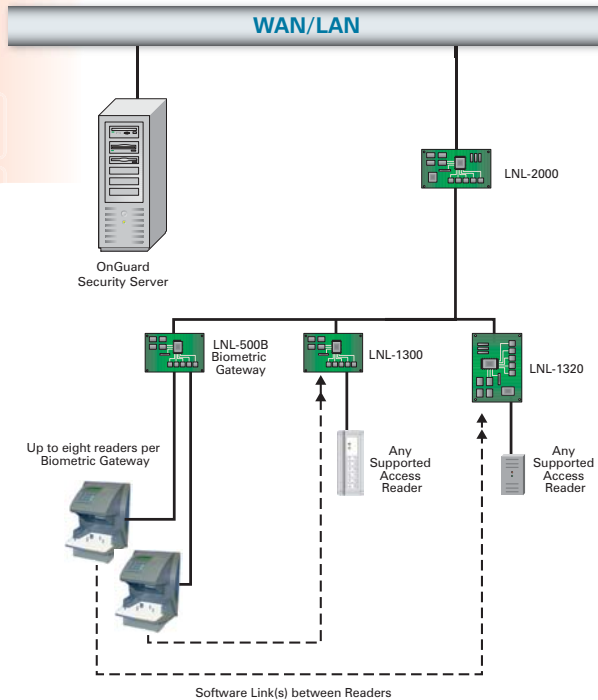
- Windows 2000/XP Based
- Open Architecture Design
- Fast, Efficient, Enrollment using OnGuard ID CredentialCenter
- User Friendly GUI
- Increased Security
- Accurate, Non-Intrusive Biometric Verification
- Single Networked System
- Simple Operation
- Centralized Management
- Unique Distributed Architecture
- Eliminates Multiple Systems and Databases
- Access Decisions Made at the Panel or Credential Level, Even When Off-line with the Database Server
- Linkages to e-mail and paging
- Integration with Digital Video Clips
- Reduced Total Cost of Ownership
- Centralized Reporting and Audit Trail
- Supports Biometric Technologies from
  - ▶ Biocentric Solutions
  - ▶ Bioscrypt
  - ▶ Identix
  - ▶ Recognition Systems
- Total Security Knowledge Management Solutions

# LENEL®

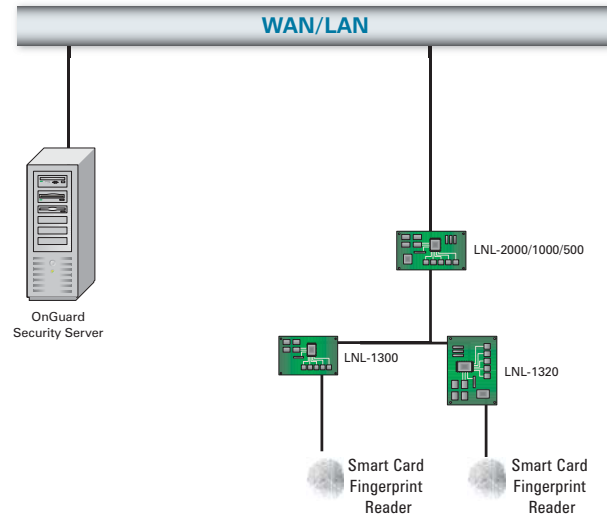
Always OnGuard™

# Total Security Knowledge Management Solutions™

## Distributed Access Controller Architecture



## Distributed Smart Card Architecture



Biometric templates stored/authenticated on credentialholder smart card

## Bioscrypt

OnGuard Biometrics offers a fully integrated fingerprint authentication access control application reader for distributed controller and smart card solutions by integrating with the Bioscrypt V-Flex and V-Smart fingerprint readers. Credentialholders' fingerprints are captured during enrollment and either downloaded to the LNL-2000 or directly written to a smart card chip, using standard MIFARE contactless smart card technology. Once the enrollment is completed, the cardholder will only be granted access with his/her card, valid access permissions from OnGuard, and his/her fingerprint.

## Recognition Systems

OnGuard Biometrics provides advanced hand geometry support using Recognition Systems HandKey, Handkey II, and ID3D hand geometry readers. Recognition Systems readers utilize field-proven hand geometry technology that maps and verifies the size and shape of a person's hand. Each hand template requires only 9 bytes of information leading to fast enrollment with minimum data storage in the OnGuard database and at the LNL-2000.

## Identix

OnGuard Biometrics integrates Identix fingerprint authentication readers. Credentialholder's fingerprints are captured during enrollment and downloaded to the LNL-2000 for use with the Identix V20 line of fingerprint readers. Once the enrollment is complete, the cardholder will only be granted access with his card, valid access permissions and his/her fingerprint. All authentications are verified instantaneously by linking the Identix fingerprint reader with any other card reader technology that Lenel supports.

## Biocentric Solutions

OnGuard Biometrics seamlessly integrates with Biocentric Solutions CombiSmart and GuardDog readers. Similar to the Bioscrypt solution described above, Biocentric Solutions' CombiSmart/GuardDog is a two-in-one solution that combines a biometric device and smart card reader, using standard MIFARE contactless smart card technology. Credentialholders' fingerprints are captured during enrollment and directly written to a smart card chip.

Securing Access to the Future...Today!™

# LENEL®

Always OnGuard™

Lenel Systems International, Inc.

1212 Pittsford-Victor Road Pittsford NY 14534 USA

[tel] +1.585.248.9720 [fax] +1.585.248.9185 [web] www.lenel.com

